

Bimetal Thermometers

Process Industry Series • Model 53 with Adjustable Stem and Dial

Thermometers

Service intended

All stainless steel thermometer.
Suitable for corrosive media and environments in chemical process, petroleum and food industry.

Nominal size

3 in. and 5 in.

Temperature element

Coiled bimetal

Accuracy

Class 1 per DIN EN 13 190

Working range

Permanent (1 year): measuring range per DIN EN 13 190
Short time (24 h max.): scale range per DIN EN 13 190

Pressure rating of stem

25 bar maximum

Ingress protection

IP 56 / IP 65 per EN 60 529 / IEC 529

Standard features

Location of stem

Centre back

Case

Rotatable on stem 360°
Stem adjustable every angle
Material: stainless steel

Connection

½ NPT, stainless steel 1.4571

Stem

6 mm diameter, stainless steel 1.4571

Dial

White aluminium with black lettering and scale °C

Pointer

Black aluminium pointer

Zero adjustment

Externally at back of case

Window

Instrument glass

Optional extras

- Case and stem with liquid damping (250 °C max.)
- Ingress protection IP 66
- Scale °F; dual scale °C/°F
- Window of laminated safety glass or non-splintering plastic
- Stem 8 or 10 mm diameter
- Plain stem or thread other than ½ NPT
- Thermowells per DIN 43 772 or to user specifications



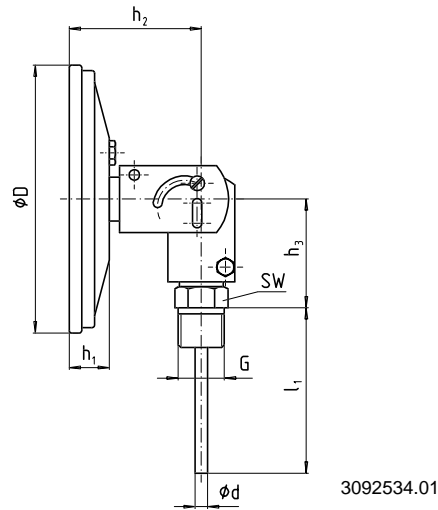
Scale ranges

Scale range °C (per DIN EN 13 190)	Scale spacing °C (per WIKA company standard 12.116)
- 70 ... + 30	1
- 50 ... + 50	
- 30 ... + 50	
- 20 ... + 60	0.5
0 ... 60	
0 ... 80	1
0 ... 100	
0 ... 120	
0 ... 160	
0 ... 200	2
0 ... 250	
0 ... 300	
0 ... 400	5
0 ... 500	
0 ... 600	

Models

Model	Nominal size	Location of stem / Case
S 5300	3"	Centre back / adjustable every angle
S 5301	5"	

Dimensions



3092534.01

Nominal size	Dimensions [mm]					Weight [kg]
	ϕD	ϕd	h_1	h_2	h_3	
3"	76	6	20	63	55	0.400
5"	127	6	20	63	55	0.500

Design of connection

Standard connection

Male thread $\frac{1}{4}$ NPT, $\frac{1}{2}$ NPT, G $\frac{1}{4}$ B or G $\frac{1}{2}$ B

Length of stem

$l_1 = 2,5", 4", 6", 9", 12", 15", 18"$ or 24"

$l_1 = 63, 100, 150, 225, 305, 380, 455$ or 610 mm

Stainless steel 1.4571

Connection 1

Plain stem

Length of stem $l = 140, 200, 240$ or 290 mm

Stainless steel 1.4571

To fit compression fitting of connection 4

Connection 2

Male nut G $\frac{1}{2}$ B

Length of stem $l_1 = 80, 140, 180$ or 230 mm

Stainless steel 1.4571

Connection 3

Union nut G $\frac{1}{2}$, G $\frac{3}{4}$ or M 24 x 1.5

Length of stem $l_1 = 89, 126, 186, 226$ or 276 mm

Stainless steel 1.4571

Connection 4

Compression fitting (sliding on stem)

G $\frac{1}{2}$ B, G $\frac{3}{4}$ B, M 18 x 1.5, $\frac{1}{2}$ NPT or $\frac{3}{4}$ NPT

Minimum insertion approx. 60 mm

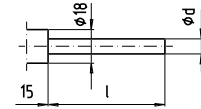
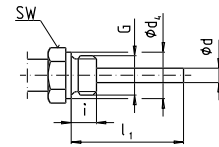
Length of stem $l_1 =$ variable

Length $L = l_1 + 40$ mm

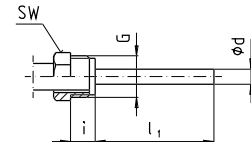
Stainless steel 1.4571

Dimensions [mm]

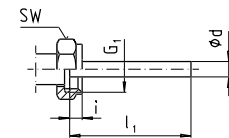
Male thread G	SW	d_4	i
$\frac{1}{4}$ NPT	17	-	15
$\frac{1}{2}$ NPT	22	-	19
G $\frac{1}{4}$ B	22	18	12
G $\frac{1}{2}$ B	27	26	14



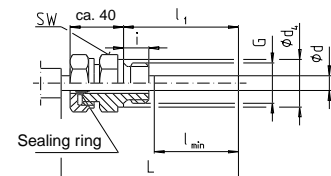
Male thread G	SW	i
G $\frac{1}{2}$ B	27	20



Female thread G1	SW	i
G $\frac{1}{2}$	27	8.5
G $\frac{3}{4}$	32	10.5
M 24 x 1.5	32	13.5



Male thread G	SW	d_4	i
G $\frac{1}{2}$ B	27	26	14
G $\frac{3}{4}$ B	32	32	16
M 18 x 1.5	24	23	12
$\frac{1}{2}$ NPT	22	-	19
$\frac{3}{4}$ NPT	30	-	20



3073 050.01

Ordering information

Model / Nominal size / Scale range / No. and size of connection / Length of stem l, l_1 / Optional extras required

Specifications and dimensions given in this leaflet represent the state of engineering at the time of printing. Modifications may take place and materials specified may be replaced by others without prior notice.



WIKA Alexander Wiegand GmbH & Co. KG
 Alexander-Wiegand-Straße · 63911 Klingenberg
 Tel.: (0 93 72) 132-0 · Fax: (0 93 72) 132-406
<http://www.wika.de> · E-mail: info@wika.de